
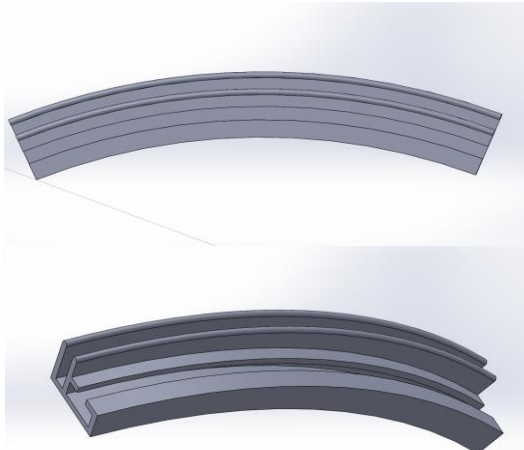

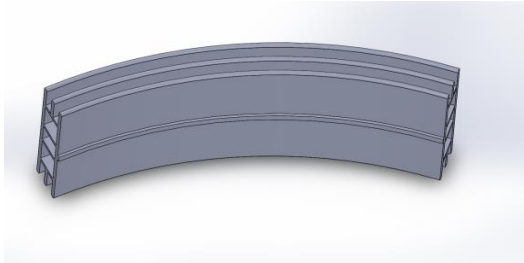

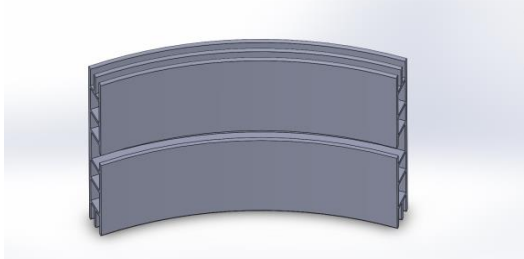

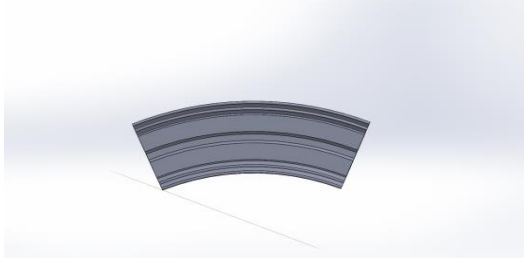

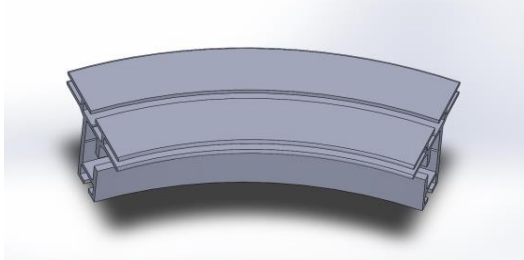
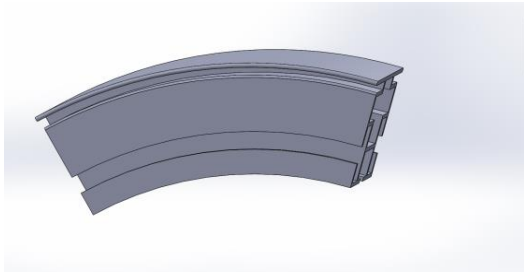







Name	Vizualizace	Possibility of bending	Treatment
Eltex 16		<p>Bending in one plane</p> <p>Min R 500 mm</p>	
Eltex 82		<p>Bending in one plane</p> <p>Min R 500 mm</p>	
Eltex 122		<p>Bending in one plane</p> <p>Min R 500 mm</p>	
Eltex cube		<p>Bending in two planes</p> <p>Min R 1000 mm</p>	
Eltex 50		<p>Bending in two planes</p> <p>Min R 500 mm</p>	

			
Eltex magnetic		Bending in two planes Min R 1000 mm	 
Eltex 40		Bending in one plane Min R 500 mm	
Eltex keder φ 32		G Bending in two planes Min R 500 mm	 

<p>Eltex keder 38x16</p>		<p>Bending in one plane Min R 300 mm</p>	
<p>Eltex keder φ 50</p>		<p>Bending in two planes Min R 750 mm</p>	